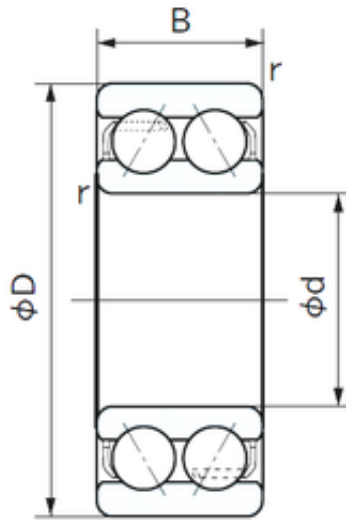




# SJN Machinery Co., Ltd.



## 50 mm x 90 mm x 30.2 mm NACHI 5210A Angular contact ball bearings

Bearing No. 5210A

5210A Bearing 2D drawings and 3D CAD models

Size	50x90x30.2 mm
Bore Diameter	50 mm
Outer Diameter	90 mm
Width	30.2 mm
d	50 mm
D	90 mm
B	30.2 mm
C	30.2 mm
Angle ( ° )	20 °
r min.	1.1 mm
Weight	0.670 Kg
Basic dynamic load rating (C)	51 kN
Basic static load rating (C0)	42 kN
(Grease) Lubrication Speed	4500 r/min
Enclosure	Open
Configuration	Double Row
Bore Type	Cylindrical Bore
Bore Size	50 mm
Outside Diameter	90 mm
Width	30.2 mm
Fillet Radius/Chamfer	1.1 mm
Dynamic Load Rating	51,000 N
Static Load Rating	42,000 N
Limiting Speed - Grease	4,500 rpm
Limiting Speed - Oil	6,000 rpm



## SJN Machinery Co., Ltd.

Radial Clearance	0.006 to 0.023 mm
da	57 mm83 mm
Dx	98 mm
ra	1 mm
Cy	5.4 mm