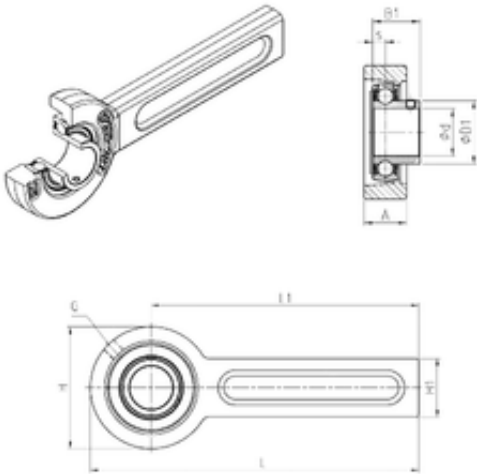


**SNR USSP207 Bearing units**



Bearing No. USSP207

Bore Diameter	35 mm
d	35 mm
s	8,5 mm
A	21 mm
B1	32 mm
D1	48 mm
H	98 mm
H1	41 mm
L	274 mm
L1	225 mm
Thread (G)	R1/8"
Weight	2 Kg
Basic dynamic load rating (C)	25,7 kN
B	32 mm
A5	23.5 mm
G	R1/8"
H2	41 mm
s1	16 mm
S	8.5 mm
SW	3 mm
C	25.7 kN
C0	15.2 kN
T min.	-20 ° C
T max.	100 ° C
Recommended tightening torque for set screw	5.5 Nm

USSP207 Bearing 2D drawings and 3D CAD models



## SJN Machinery Co., Ltd.

Designation of housing	SP206-207/72-
Designation of bearing	US207G2