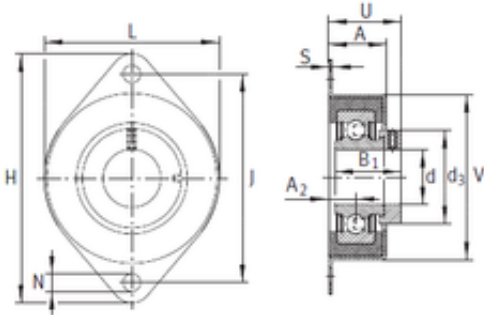


INA RCSMF15 Bearing units



RCSMF15 Bearing 2D drawings and 3D CAD models

Bearing No. RCSMF15

Bore Diameter	15 mm
d	15 mm
V	68 mm
U	34,8 mm
d3	28 mm
A	27 mm
B1	28,6 mm
H	114 mm
J	92 mm
L	70 mm
N	10,5 mm
S	1,5 mm
A2	12,7 mm
Category	Bearings
Inventory	0.0
Manufacturer Name	SCHAEFFLER GROUP
Minimum Buy Quantity	N/A
Weight / Kilogram	0.323
Product Group	M06110