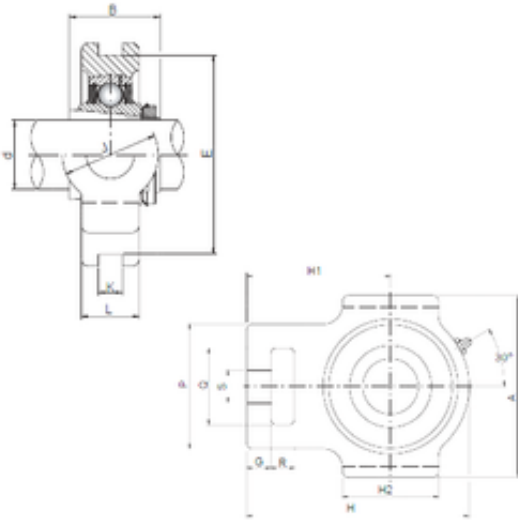




# SJN Machinery Co., Ltd.

## ISO UKT216 Bearing units

Bearing No. UKT216



UKT216 Bearing 2D drawings and 3D CAD models

Bore Diameter	70 mm
d	70 mm
P	111 mm
Q	70 mm
A	184 mm
B	78 mm
E	165 mm
G	21 mm
H	235 mm
H1	140 mm
H2	121 mm
J	70 mm
K	26 mm
L	51 mm
R	32 mm
S	41 mm