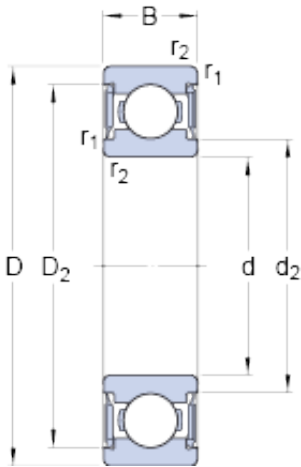




SJN Machinery Co., Ltd.



15 mm x 32 mm x 9 mm SKF W 6002-2RS1/VP311 Deep groove ball bearings

Bearing No. W 6002-2RS1/VP311

W 6002-2RS1/VP311 Bearing 2D drawings and 3D CAD models

Size	32x15x9 mm
Bore Diameter	32 mm
Outer Diameter	15 mm
Width	9 mm
d	15 mm
D	32 mm
B	9 mm
d ₂	18.6 mm
D ₂	29.05 mm
r _{1,2} - min.	0.3 mm
d _a - min.	17 mm
d _a - max.	18.5 mm
D _a - max.	30 mm
r _a - max.	0.3 mm
Basic dynamic load rating - C	4.9 kN
Basic static load rating - C ₀	2.8 kN
Fatigue load limit - P _u	0.12 kN
Limiting speed	14000 r/min
Calculation factor - k _r	0.03
Calculation factor - f ₀	13.9
d ₂	18.6 mm
D ₂	29.05 mm
r _{1,2} min.	0.3 mm
d _a min.	17 mm



SJN Machinery Co., Ltd.

d_a max.	18.5 mm
D_a max.	30 mm
r_a max.	0.3 mm
Basic dynamic load rating C	4.88 kN
Basic static load rating C_0	2.8 kN
Fatigue load limit P_u	0.12 kN
Calculation factor k_r	0.03
Calculation factor f_0	13.9
Mass bearing	0.029 kg